

MTS-350™

Combining semi-automated filling and sealing processes, our MTS-350 provides a versatile pre-pack solution for the long-term care pharmacy.

Benefits

- Packages up to 10 times faster than packaging by hand
- Designed for less repetitive operator motion
- Robust automated sealing station eliminates blister card pressure variants
- Temperature and time controls provide consistent quality sealing

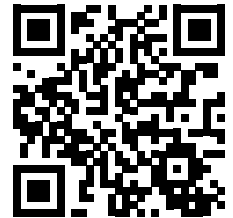


Features

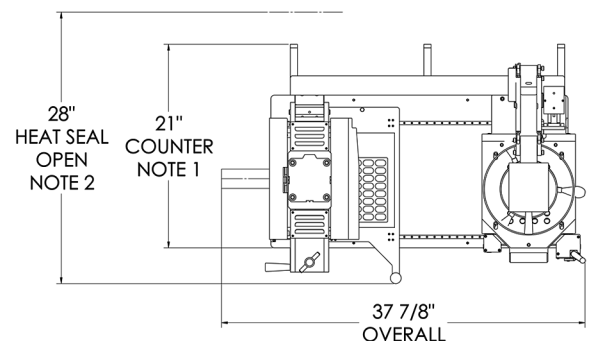
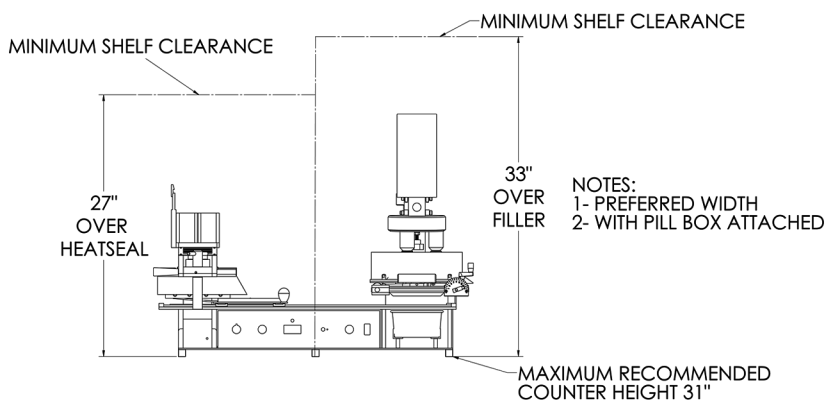
- Packages a wide variety of card styles and foils to meet a variety of needs
- Motorized medication filling system with adjustable speed and easy to change brushes
- Tool-less changeover of the filling system
- Seal station automatically opens when the cycle is complete
- Easy-to-read digital temperature controller
- Stainless steel and anodized aluminum construction allows for easy cleaning
- Easy access for cleaning of heat plate
- Dual timer for unit dose and blister card sealing

Specifications

- Height: 33 Inches (over filler)
- Width: 37-7/8 Inches
- Depth: 28 Inches
- Weight: 112 Pounds
- Electrical: 110 VAC, 7Amps
- Compressed Air: 100 PSI, 2SCFM
- Sealing Time: Adjustable: Standard Blister Card / 4 seconds, Unit Dose / 2 seconds
- Temperature Range: 90°- 400° Fahrenheit
- Service Contracts: Annual service contracts are available



Scan here to view a video of MTS-350 in operation.



MTS-400™

Designed for high pre-pack volume for the medium to large pharmacy. Provides a portable workstation with storage so as not to take up valuable counter space. An optional air compressor is available for portability.

Benefits

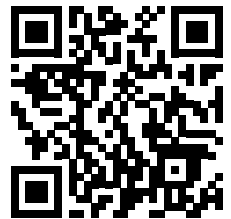
- Packages up to 12 times faster than packaging by hand
- Internal storage of filling plates and disposables
- Ergonomically designed with less repetitive operator motion
- Temperature and time controls provide consistent quality sealing
- Robust automated sealing station eliminates blister card pressure variants
- On-board quiet air compressor, requires only a 120 VAC connection
- Optimal sealing at minimum heat levels
- All settings are pre-programmed

Features

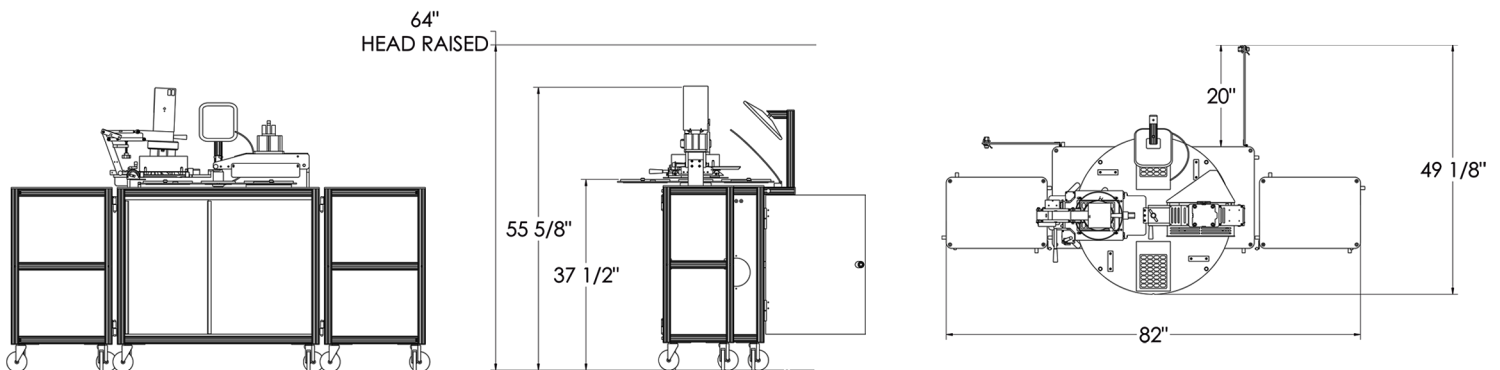
- Manual 4-position rotary table
- Motorized medication filling system with adjustable speed and easy-to-change brushes
- Tool-less changeover of the filling system
- Hands-free blister card fold station
- Seal station automatically opens when the cycle is complete
- Easy-to-read digital temperature controller
- Stainless steel and anodized aluminum construction allows for easy cleaning

Specifications

- Height: 64 Inches
- Width: 82 Inches when open
- Depth: 38 Inches
- Weight: 480 Pounds
- Electrical: 120 VAC, 16 Amps
- Compressed Air: 100 PSI, 2 SCFM
- Temperature Range: 90° - 400° Fahrenheit



Scan here to view a video of MTS-400 in operation.



MTS-500™

Designed to streamline packaging for the larger long-term care pharmacy, our MTS-500 is capable of producing approximately 850¹ completed medication blister cards per hour.

Benefits

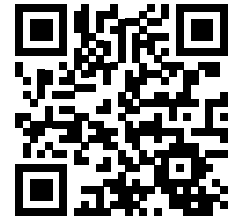
- Packages up to 34 times faster than packaging by hand
- High-volume throughput with a semi-automated system
- Temperature and time controls provide consistent quality sealing
- Robust automated sealing station eliminates blister card pressure variants
- Optimal sealing at minimum heat levels
- All settings are pre-programmed

Features

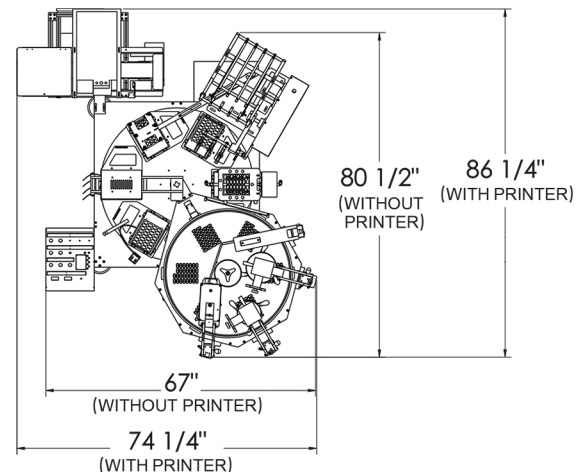
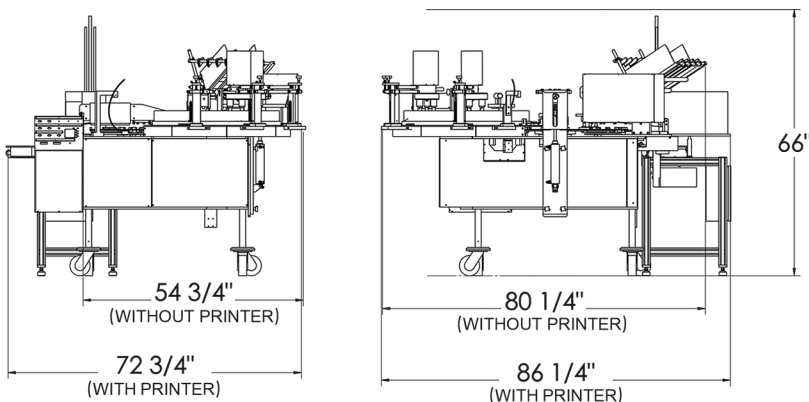
- Motorized medication filling system with adjustable speed and easy-to-change brushes
- Tool-less changeover of the filling system
- Easy-to-read digital temperature controller
- Stainless steel and anodized aluminum construction allows for easy cleaning
- Optional in-line printing system for pre-pack labeling and bar coding

Specifications

- Height: 66 Inches
- Width: 74-1/4 Inches with printer
- Depth: 86-1/4 Inches with printer
- Weight: 1200 Pounds
- Electrical: 240 VAC, 1Phase, 20 Amps
- Compressed Air: 100 PSI, 15 SCFM
- Temperature Range: 90°- 400° Fahrenheit



Scan here to view a video of MTS-500 in operation.



ALLOW ADDITIONAL 2' WALKAROUND EACH SIDE.

¹ Max per hour is one technician filling the same drug without medication changes.

